



15-06 Morlot Avenue, Fair Lawn, NJ 07410 USA Tel: (201) 796-2690 Fax: (201) 796-8818

info@articulight.com

articulight@aol.com

www.articulight.com

LED SERIES

BRIDGET 40-360 LED Accent Necklace Luminaire



Aptly named, the **BRIDGET 40-360** is an innovative newly developed LED accent necklace lighting fixture providing powerful, glittery, bright and sparkling aesthetic illumination.

The **BRIDGET 40-360**, consuming only 45 watts, is designed to replace 100w-120w HPS, LPS, MH and MV legacy lighting fixtures in existing outdoor structures as well to be the focal point in new construction.

Thanks to its 360 degree illumination design, the light can be seen in any direction from miles away and when used in multiples it will highlight the structure on which it is mounted. The cleverly designed grooved lens enables even and diffused distribution and coverage of light in all directions.

The **BRIDGET 40-360** can be used on bridges, towers and other similar structures such as revitalized industrial development districts and entertainment zones. resulting in dramatic and panoramic views of riverfronts and cityscapes

FEATURES AND BENEFITS

- Solid State LED Lighting
- Excellent heat management
- Good anti-impact properties
- Explosion-proof
- Elegant look and functional design
- Excellent optics design
- Superb lumens distribution
- Advance physical characteristics
- Durability and resistance to corrosion
- Lightweight and compact
- Simple installation
- Virtually no heat
- No UV
- No Infrared
- No mercury
- No CO2 effects
- Eco Friendly Green Technology
- Virtually No Maintenance
- Anti-moisture treatment
- Anti-corrosion treatment
- Homogenized beam coverage thanks to special light shaping diffusers
- Safe and reliable, easy maintenance
- Long life and energy efficient and savings
- Practical and unique
- Robust construction suitable for harsh and outdoor applications
- Direct-view light source and wide angle enable view from all directions
- Optimum heat dissipation in a sealed radial finned enclosure

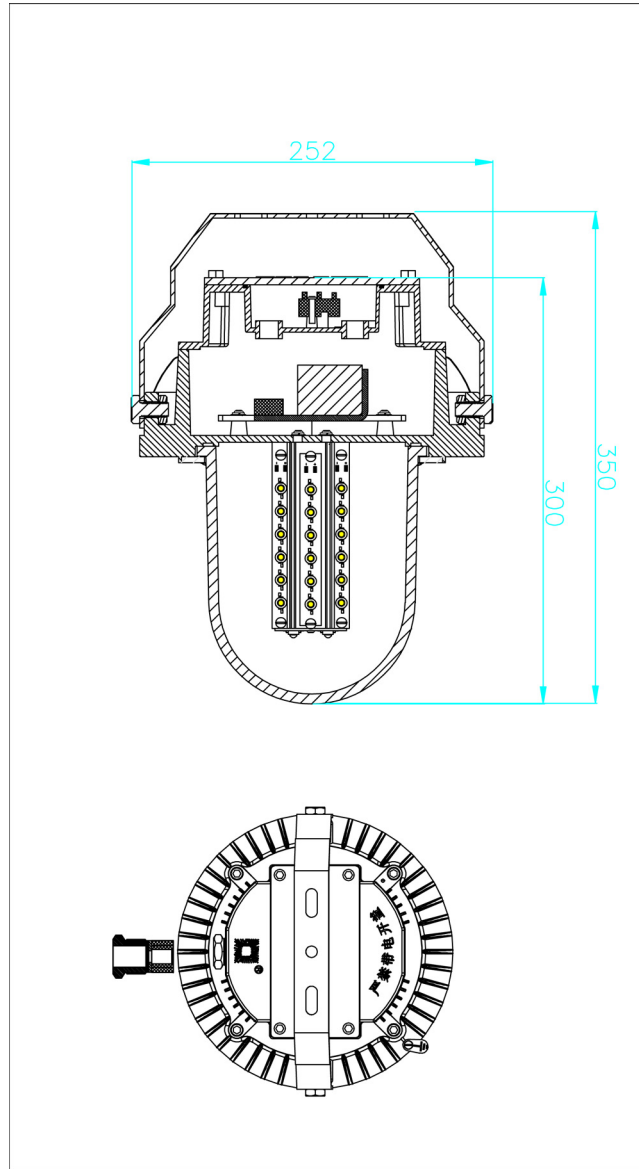
TECHNICAL DATA

- Model:** BRG-40-360
- Light Source:** LED
- Quantity of LED:** 40 1W
- Color of LED:** Cool White. Other colors are available too.
- Lamp life:** >50,000 hours
- Lumens:** 110 lumens per watt total 4400.
- Color Temperature:** 6500K (other color temperatures are available too)
- Operating Voltage:** DC 24V
- Maximum Power Consumption:** 45w
- Power Factor:** 0.9
- Operating Current:** 1.05 A
- Voltage Input:** 100-240V auto sensing, 50/60hz, (277V, 480V and other voltages are available too on special order)
- Power Supply:** 50w, IP67, durable and reliable
- Electrical Protection:** Surge protector and inline 5A fuse protect driver and LED light source up to 2,000V
- Moisture Condensation Prevention:** Glued Silicone rubber ring with anti-aging and high temperature enduring agents.
- Lens:** Tempered borosilicate grooved glass.
- Housing:** Die-cast aluminum, tough and durable
- Finish:** Static coated paint. Grey. Custom colors are available too.
- Dimensions:** Length 24cm minimum and 25.2 cm maximum x Width 24 x Height 30 cm/ With Bracket 35 cm (9.45"minimum and 9.92" maximum x 9.45" x 11.81" with bracket 13.78"). Please see drawing below. Packed: 31x31x45cm (12.20" x 12.20" x 17.72")
- Weight:** Net:7 kgs (15.4 lbs).Packed: 8 kgs (17.6 lbs)
- Internal LED Configuration:** 6 1w LEDs on 6 vertical sides each representing 60 degrees coverage for total of 360 degrees vertical coverage and 4 1w LEDs on top for the tip of the glass lens
- Beam Angle Coverage:** 360 degrees
- Spacing:** Depending on the application
- IP (Ingress Protection) Rating:** 67
- IK (Impact Protection) Rating:** IK07
- Suitable for:** Dry, damp and wet environments
- Ambient Temperatures:** 40°C to 50°C (104°F to122°F)
- Operating Temperatures:** -40°C to 60°C (-40°F to140°F)
- Listing:** CE, RoHS (others are available upon request)
- Mounting:** Universal. Uniquely designed bracket with 3 holes for ease of installation. Bracket can be customized in size, shape and holes. A mounting plate can be added and customized.
- Screws and support components:** Made of stainless steel.
- Serviceability:** Inside components can be serviced and replaced, if needed.
- Cable:** 3x1.5mm

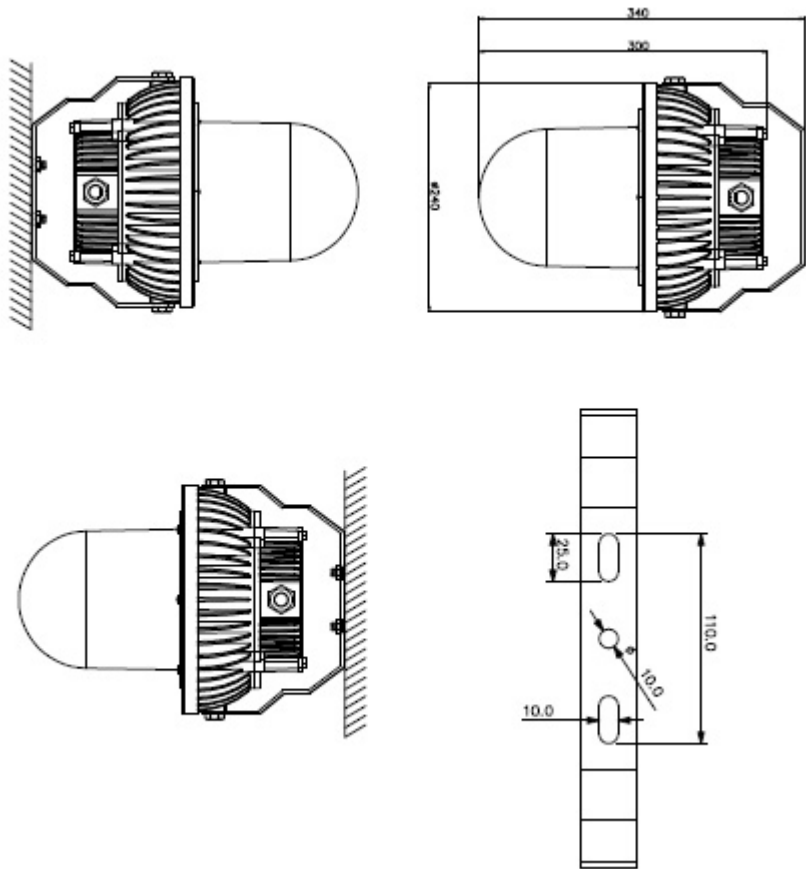
APPLICATIONS

- Bridges
- Towers
- Riverfronts
- Landscape
- Industrial
- Development Districts
- Entertainment Zones
- Power Stations
- Oil Refineries
- Commercial Zones
- And more

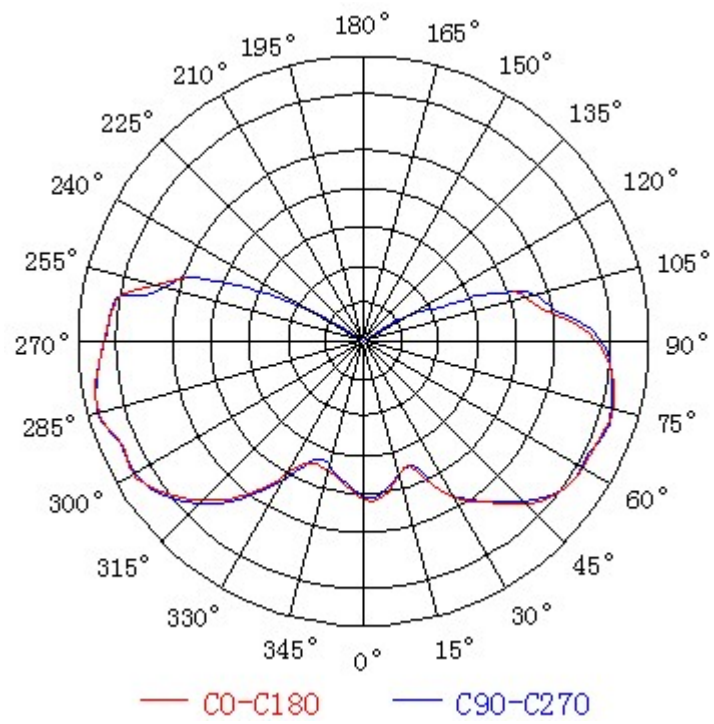
DIMENSIONS (in mm)



INSTALLATION



LIGHT DISTRIBUTION



DUE TO CONTINUOUS IMPROVEMENTS, SPECIFICATIONS MAY CHANGE WITHOUT PRIOR NOTICE.