

ARTICULIGHT

15-06 Morlot Avenue, Fair Lawn, NJ 07410 USA Tel: (201) 796-2690 Fax: (201) 796-8818

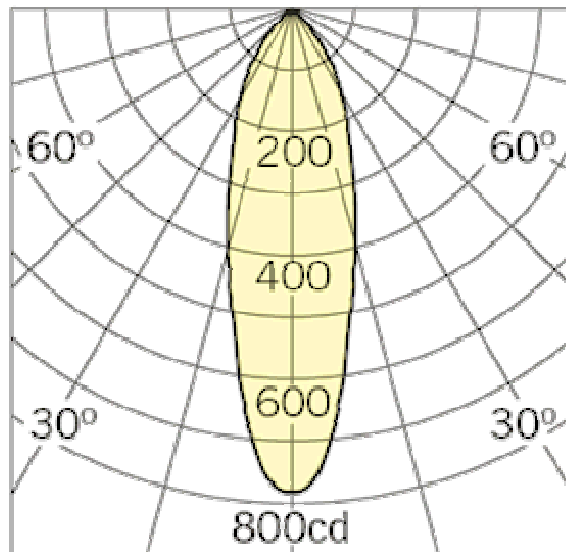
info@articulight.com

articulight@aol.com

www.articulight.com

LED SERIES

BRUTALED 30
LED Wash Projector





Designed initially for exterior use the BRUTALED Series, have rapidly proven themselves to be every bit as suitable for indoor applications.

Stylishly designed, all fixtures within the BRUTALED Series are manufactured to one singular exacting standard and in the same materials and finishes, the result is a highly aesthetic, 'family look' which allows designers to confidently and unobtrusively mix-and-match all of the luminaire types into any installation. As their light source, all BRUTALED Series utilize the most up-to-date high power 1W LEDs. These combined with advanced circuitry and optics produce light color temperatures and clean, luminance levels either equal or superior to tungsten halogen, metal halide and compact fluorescent sources.

Operating on significantly lower wattages than conventional lights, the individual power and colors of the high quality 1W LEDs provide the BRUTALED Series with the means and flexibility to excel in any open area or spot illumination scheme. Designed for smaller flood lighting applications, the BRUTALED 30 features 30 1W LEDs and optical control mounted beneath the toughened glass lens to provide maximum light distribution with diffused-edge, uniform illumination. The base rotation axis can be fixed, and the lamps have a scale angle plate on the tilt bracket to facilitate the precise setting of the beam. Its IP rating is 65

<http://articulight.com/acc/IPRatings.html>

TECHNICAL SPECIFICATIONS	
Light Source:	30 x 1 watt LEDs
Projecting Distance:	220 lux @ 3 meters
Led Life:	>50,000 hours
Power Consumption:	37.5 watts
Mains Connection Method:	Hard Wired Terminals
Housing Material:	Die Cast Aluminum
Diffuser Material:	Toughened Glass
Weight:	4.7 kg
IP rate Object:	6 = Totally protected against dust
IP rate Liquid:	5 = Protected against low pressure jets if water from all directions - limited ingress permitted
Voltages:	90-250v AC

COLORS
White
Amber
Warm White

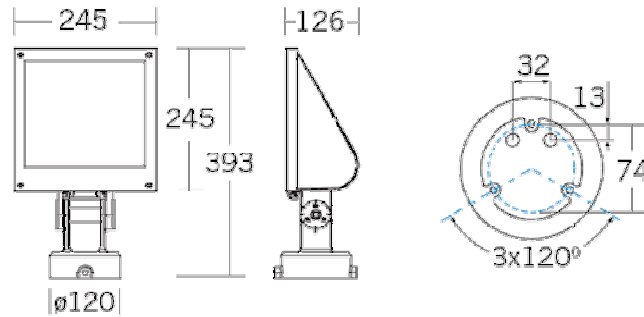
Cool White
RGB (3 LEDs)
Blue / White LED Mix
Amber / White LED Mix

TYPICAL APPLICATIONS
Industrial Applications
Functional Lighting
Street & Bridge Lighting
Cruise & Ferry Ships
Shopping Malls
Signage

EFFECTS
Even illumination throughout beam pattern

FEATURES
Die Cast Aluminum Body
Epoxy Resin Coating
Toughened Glass Diffuser
Scale angle plate on the tilt bracket to facilitate the precise setting of the beam.

DIMENSIONS IN MM

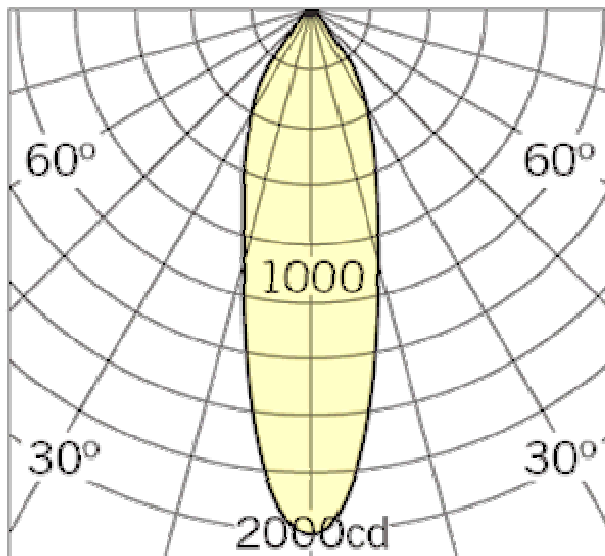


MODELS
BR-A0033/WW = 30 x 1W LED Square Projector Warm White
BR-A0033/PW = 30 x 1W LED Square Projector Pure White
BR-A0033/CW = 30 x 1W LED Square Projector Cool White
BR-A0043 = 30 x 1W LED Square Projector White/Yellow mix
BR-A0023 = 30 x 1W LED Square Projector Amber/White/Blue mix
BR-A0053 = 30 x 1W LED Square Projector RGB

DUE TO CONTINUOUS IMPROVEMENTS, SPECIFICATIONS MAY CHANGE WITHOUT PRIOR NOTICE.

BRUTALED 64 LED Wash Projector





CE UL    IP65

Designed initially for exterior use the BRUTALED Series, have rapidly proven themselves to be every bit as suitable for indoor applications. Stylishly designed, all fixtures within the BRUTALED Series are manufactured to one singular exacting standard and in the same materials and finishes, the result is a highly aesthetic, 'family look' which allows designers to confidently and unobtrusively mix-and-match all of the luminaire types into any installation. As their light source, all BRUTALED Series utilize the most up-to-date high power 1W LEDs. These combined with advanced circuitry and optics produce light color temperatures and clean, luminance levels either equal or superior to tungsten halogen, metal halide and compact fluorescent sources.

Operating on significantly lower wattages than conventional lights, the individual power and colors of the high quality 1W LEDs provide the BRUTALED Series with the means and flexibility to excel in any open area or spot illumination scheme. Sharing the same high qualities of engineering and finish as the smaller BRUTALED 30, the BRUTALED 64 features 64 1W LEDs delivering impressively high levels of clean illumination while utilizing just 96W for operation. A wide range of mounting accessories allows optimum positioning of the fixtures for exterior and interior applications. Its IP rating is 65 <http://articulight.com/acc/IPRatings.html>. The robust hinge enables adjustment to the angle of tilt, and the clearly marked angle plate ensures the accurate positioning of multiple fixtures.

TECHNICAL SPECIFICATIONS	
Light Source:	64 x 1 watt LEDs
Projecting Distance:	565 lux @ 3 meters
Led Life:	>50,000 hours
Power Consumption:	96 watts
Mains Connection Method:	Hard Wired Terminals
Housing Material:	Die Cast Aluminum
Diffuser Material:	Toughened Glass
Weight:	11.1 kg
IP rate Object:	6 = Totally protected against dust
IP rate Liquid:	5 = Protected against low pressure jets if water from all directions - limited ingress permitted
Voltages:	90-250v AC

COLORS
White
Amber
Warm White
Cool White
RGB (3 LEDs)
Blue / White LED Mix
Amber / White LED Mix

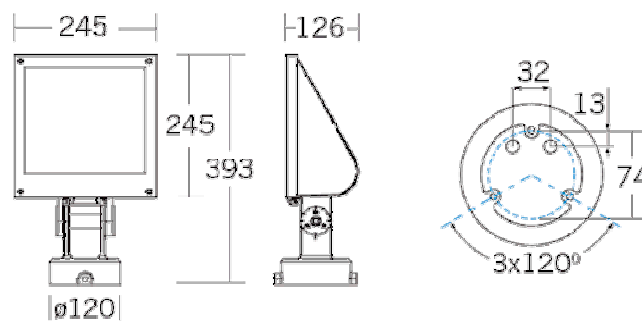
TYPICAL APPLICATIONS
Industrial Applications
Functional Lighting
Street & Bridge Lighting
Cruise & Ferry Ships
Shopping Malls
Signage

FEATURES

Die Cast Aluminum Body
Epoxy Resin Coating
Toughened Glass Diffuser
Scale angle plate on the tilt bracket to facilitate the precise setting of the beam

EFFECTS
Even illumination throughout beam pattern

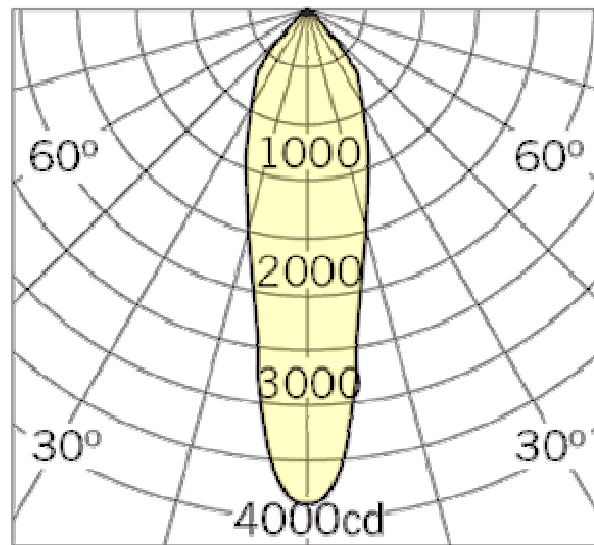
DIMENSIONS IN MM



MODELS
BR-A0103 - WW = 64 x 1W LED Square Projector Warm White
BR-A0103 - CW = 64 x 1W LED Square Projector Cool White
BR-A0103 - PW = 64 x 1W LED Square Projector Pure White
BR-A0113 = 64 x 1W LED Square Projector White / Yellow Mix
BR-A0093 = 64 x 1W LED Square Projector Amber / White / Blue Mix
BR-A0133 = 64 x 1W LED Square Projector RGB

DUE TO CONTINUOUS IMPROVEMENTS, SPECIFICATIONS MAY CHANGE WITHOUT PRIOR NOTICE.

BRUTALED 120
LED Wash Projector



CE UL    IP65

Designed initially for exterior use the BRUTALED Series, have rapidly proven themselves to be every bit as suitable for indoor applications. Stylishly designed, all fixtures within the BRUTALED Series are manufactured to one singular exacting standard and in the same materials and finishes, the result is a highly aesthetic, 'family look' which allows designers to confidently and unobtrusively mix-and-match all of the luminaire types into any installation. As their light source, all BRUTALED Series utilize the most up-to-date high power 1W LEDs. These combined with advanced circuitry and optics produce light color temperatures and clean, luminance levels either equal or superior to tungsten halogen, metal halide and compact fluorescent sources. Operating on significantly lower wattages than conventional lights, the individual power and colors of the

high quality 1W LEDs provide the BRUTALED Series with the means and flexibility to excel in any open area or spot illumination scheme. One of the largest of the BRUTALED Series and featuring a powerful light source of 120 high-brightness 1W LEDs, the BRUTALED 120 is designed for exterior and interior flood lighting applications requiring high levels of illumination with the optimum in light distribution and soft-edged uniformity. Its IP rating is 65 <http://articulight.com/acc/IPRatings.html>. Robustly engineered mounting accessories enable easy positioning of the fixtures. The lamps have a scale angle plate on the tilt bracket to facilitate the precise setting of the light beam and ensuring an accurate positioning of multiple fixtures.

TECHNICAL SPECIFICATIONS	
Light Source:	120 x 1 watt LEDs
Projecting Distance:	812 lux @ 3 meters
Led Life:	>50,000 hours
Power Consumption:	180 watts
Mains Connection Method:	Hard Wired Terminals
Housing Material:	Die Cast Aluminum
Diffuser Material:	Toughened Glass
Weight:	22.4 kgs
IP rate Object:	6 = Totally protected against dust
IP rate Liquid:	5 = Protected against low pressure jets if water from all directions - limited ingress permitted
Voltages:	90-250v AC

COLORS
White
Amber
Warm White
Cool White
RGB (3 LEDs)
Blue / White LED Mix

Amber / White LED Mix

TYPICAL APPLICATIONS

Industrial Applications

Functional Lighting

Street & Bridge Lighting

Cruise & Ferry Ships

Shopping Malls

Signage

FEATURES

Die Cast Aluminum Body

Epoxy Resin Coating

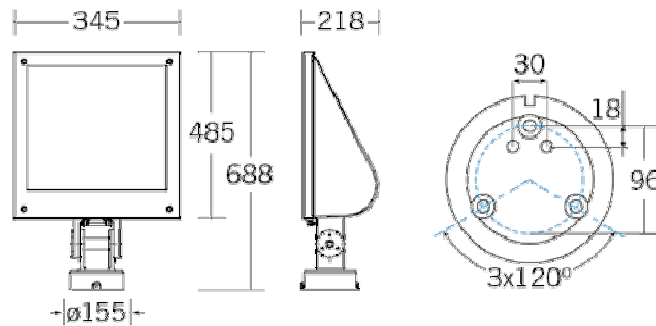
Toughened Glass Diffuser

Scale angle plate on the tilt bracket to facilitate the precise setting of the beam

EFFECTS

Even illumination throughout beam pattern

DIMENSIONS IN MM



MODELS
BR-A0193 - WW = 120 x 1W LED Square Projector Warm White
BR-A0193 - CW = 120 x 1W LED Square Projector Cool White
BR-A0193 - PW = 120 x 1W LED Square Projector Pure White
BR-A0203 = 120 x 1W LED Square Projector White / Yellow Mix
BR-A0183 = 120 x 1W LED Square Projector Amber / White / Blue Mix
BR-A0213 = 120 x 1W LED Square Projector RGB

DUE TO CONTINUOUS IMPROVEMENTS, SPECIFICATIONS MAY CHANGE WITHOUT PRIOR NOTICE.