

ARTICULIGHT

15-06 Morlot Avenue, Fair Lawn, NJ 07410 USA Tel: (201) 796-2690 Fax: (201) 796-8818

info@articulight.com

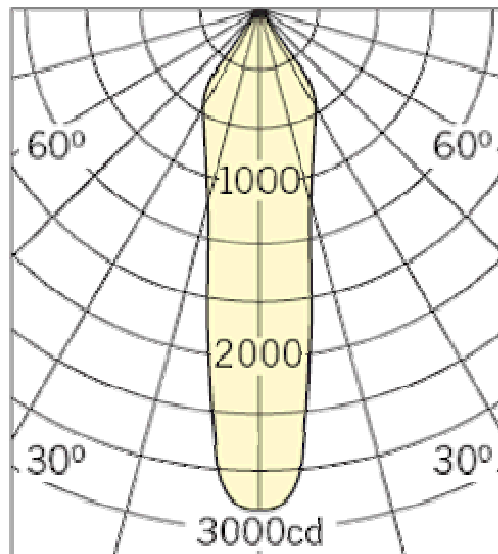
articulight@aol.com

www.articulight.com

LED SERIES

BRUTALED 36F

LED Flood Projector





Designed initially for exterior use the BRUTALED Series, have rapidly proven themselves to be every bit as suitable for indoor applications. Its IP rating is 65 <http://articulight.com/acc/IPRatings.html>.

Stylishly designed, all fixtures within the BRUTLAED Series are manufactured to one singular exacting standard and in the same materials and finishes, the result is a highly aesthetic, 'family look' which allows designers to confidently and unobtrusively mix-and-match all of the luminaire types into any installation. As their light source, all BRUTALED Series fixtures utilize the most up-to-date high power 1W LEDs. These combined with advanced circuitry and optics produce light color temperatures and clean, luminance levels either equal or superior to tungsten halogen, metal halide and compact fluorescent sources.

Operating on significantly lower wattages than conventional lights, the individual power and colors of the high quality 1W LEDs provide the BRUTALED Series with the means and flexibility to excel in any open area or spot illumination scheme. Designed for smaller flood lighting applications, the BRUTALED 36F features 36 1W LEDs and optical control mounted beneath the toughened glass lens to provide maximum light distribution with diffused-edge, uniform illumination. The base rotation axis can be fixed, and the lamps have a scale angle plate on the tilt bracket to facilitate the precise setting of the beam.

TECHNICAL SPECIFICATIONS	
Light Source:	36 x 1 watt LEDs
Projecting Distance:	301 lux @ 3 meters
LED Life:	>50,000 hours
Power Consumption:	54 watts
Mains Connection Method:	Hard Wired Terminals
Control Connection Method:	3 pin XLR-Mini (Color Change Versions only)
Housing Material:	Die Cast Aluminum
Diffuser Material:	Toughened Glass

Weight:	5.5 kg
Iprate Object:	6 = Totally protected against dust
Iprate Liquid:	5 = Protected against low pressure jets if water from all directions - limited ingress permitted
Voltages:	90-250v AC

COLORS
White
Warm White
Cool White
RGB (3 LEDs)
Blue / White LED Mix
Amber / White LED Mix
Amber / White / Blue Mix

TYPICAL APPLICATIONS
Feature Lighting
Retail Display
Industrial Applications
Functional Lighting
Street Lighting
Amenity Lighting
Cruise & Ferry Ships
Shopping Malls

BEAM ANGLE
60 degrees

FEATURES
Die Cast Aluminum Body

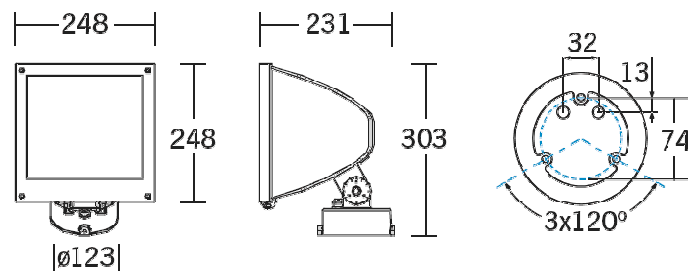
Toughened Glass Diffuser

Scale angle plate on the tilt bracket to facilitate the precise setting of the beam

EFFECTS

Wide Area Illumination

DIMENSIONS IN MM



MODELS

BR30093/WW = 36 x 1W LED Floodlight Warm White

BR30093/CW = 36 x 1W LED Floodlight Cool White

BR30093/PW = 36 x 1W LED Floodlight Pure White

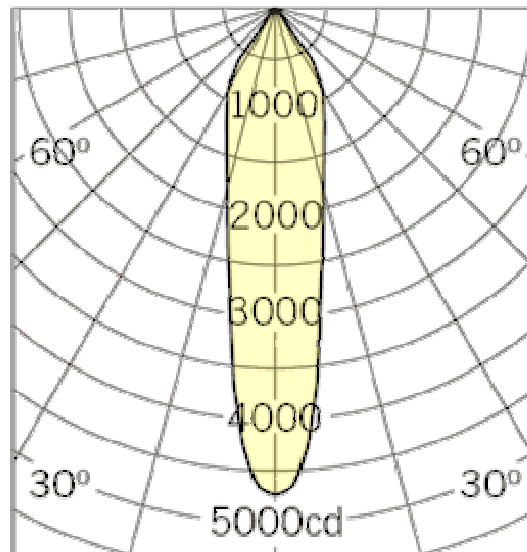
BR30083 = 36 x 1W LED Floodlight White/Yellow mix

BR30103 = 36 x 1W LED Floodlight Amber/White/Blue mix

BR30073 = 36 x 1W LED Floodlight RGB

DUE TO CONTINUOUS IMPROVEMENTS, SPECIFICATIONS MAY CHANGE WITHOUT PRIOR NOTICE.

BRUTALED 72F
LED Flood Projector



CE UL    IP65

Sharing the same family look, engineering quality and finish as the smaller BRUTALED 36F, the BRUTALED 72F features an impressive bank of 72 1W high-power LEDs delivering wide and cleanly distributed levels of illumination.

Stylishly designed, all fixtures within the BRUTALED Series are manufactured to one singular exacting standard and in the same materials and finishes, the result is a highly aesthetic, 'family look' which allows designers to confidently and unobtrusively mix-and-match all of the luminaire types into any installation. As their light source, all BRUTALED Series utilize the most up-to-date high power 1W LEDs. These combined with advanced circuitry and optics produce light color temperatures and clean, luminance levels either equal or superior to tungsten halogen, metal halide and compact fluorescent sources.

Operating on significantly lower wattages than conventional lights, the individual power and colors of the high quality 1W LEDs provide the

BRUTALED Series with the means and flexibility to excel in any open area or spot illumination scheme. Designed for large flood lighting applications, the BRUTALED 72F features 72 1W LEDs and optical control mounted beneath the toughened glass lens to provide maximum light distribution with diffused-edge, uniform illumination. The base rotation axis can be fixed, and the lamps have a scale angle plate on the tilt bracket to facilitate the precise setting of the beam. IP rating: 65

<http://articulight.com/acc/IPRatings.html>

TECHNICAL SPECIFICATIONS	
Light Source:	72 x 1 watt LEDs
Projecting Distance:	525 lux @ 3 meters
LED Life:	>50,000 hours
Power Consumption:	110 watts
Mains Connection Method:	Hard Wired Terminals
Control Connection Method:	3 pin XLR-Mini (Color Change Versions only)
Housing Material:	Die Cast Aluminum
Diffuser Material:	Toughened Glass
Weight:	11.9 kg
IP rate Object:	6 = Totally protected against dust
IP rate Liquid:	5 = Protected against low pressure jets if water from all directions - limited ingress permitted
Voltages:	90-250v AC

COLORS
White
Warm White
Cool White
RGB (3 LEDs)
Blue / White LED Mix
Amber / White LED Mix
Amber / White / Blue Mix

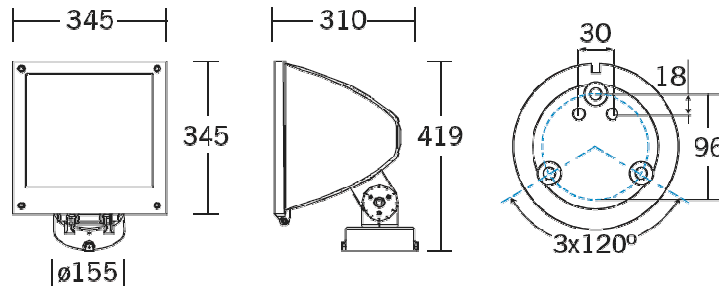
TYPICAL APPLICATIONS
Feature Lighting
Retail Display

Industrial Applications
Functional Lighting
Street Lighting
Amenity Lighting
Cruise & Ferry Ships
Shopping Malls

FEATURES
Die Cast Alumium Body
Toughened Glass Diffuser
Scale angle plate on the tilt bracket to facilitate the precise setting of the beam

EFFECTS
Wide Area Illumination

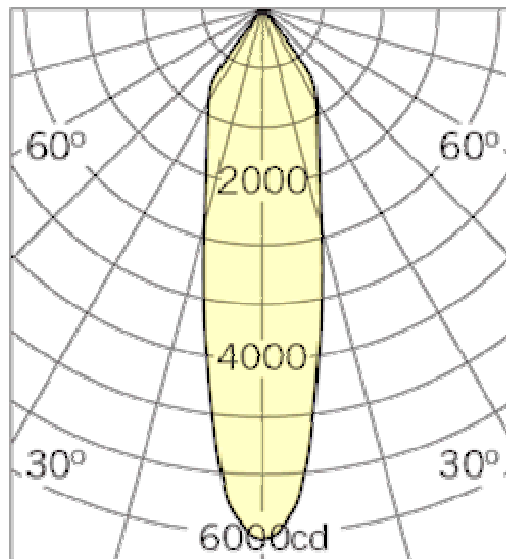
DIMENSIONS IN MM



MODELS
BR30243/WW = 72 x 1W LED Floodlight Warm White
BR30243/PW = 72 x 1W LED Floodlight Pure White
BR30243/CW = 72 x 1W LED Floodlight Cool White
BR30233 = 72 x 1W LED Floodlight White/Yellow mix
BR30253 = 72 x 1W LED Floodlight Amber/White/Blue mix
BR30223 = 72 x 1W LED Floodlight RGB

DUE TO CONTINUOUS IMPROVEMENTS, SPECIFICATIONS MAY CHANGE WITHOUT PRIOR NOTICE.

BRUTALED 144F
LED Flood Projector



CE UL    IP65

Largest of the BRUTALED floodlights and equipped with a powerful light bank of 144 super-bright 1W LEDs, the BRUTALED 144F is designed for large facades, and exterior and interior applications. Its IP rating is 65 <http://articulight.com/acc/IPRatings.html>. Stylishly designed, all fixtures within the BRUTALED Series are manufactured to one singular exacting standard and in the same materials and finishes, the result is a highly

aesthetic, 'family look' which allows designers to confidently and unobtrusively mix-and-match all of the luminaire types into any installation. As their light source, all BRUTALED Series utilize the most up-to-date high power 1W LEDs. These combined with advanced circuitry and optics produce light color temperatures and clean, luminance levels either equal or superior to tungsten halogen, metal halide and compact fluorescent sources. Operating on significantly lower wattages than conventional lights, the individual power and colors of the high quality 1W LEDs provide the BRUTALED Series with the means and flexibility to excel in any open area or spot illumination scheme. Designed for larger flood lighting applications, the BRUTALED 144F features 144 1W LEDs and optical control mounted beneath the toughened glass lens to provide maximum light distribution with diffused-edge, uniform illumination. The base rotation axis can be fixed, and the lamps have a scale angle plate on the tilt bracket to facilitate the precise setting of the beam.

TECHNICAL SPECIFICATIONS	
Light Source:	144 x 1 watt LEDs
Projecting Distance:	967 lux @ 3 meters
LED Life:	>50,000 hours
Power Consumption:	216 watts
Mains Connection Method:	Hard Wired Terminals
Control Connection Method:	3 pin XLR-Mini (Color Change Versions only)
Housing Material:	Die Cast Aluminum
Diffuser Material:	Toughened Glass
Weight:	23.2 kg
IP rate Object:	6 = Totally protected against dust
IP rate Liquid:	5 = Protected against low pressure jets if water from all directions - limited ingress permitted
Voltages:	90-250v AC

COLORS
White
Warm White
Cool White
RGB (3 LEDs)
Blue / White LED Mix

Amber / White LED Mix
Amber / White / Blue Mix

TYPICAL APPLICATIONS

Feature Lighting
Retail Display
Industrial Applications
Functional Lighting
Street Lighting
Amenity Lighting
Cruise & Ferry Ships
Shopping Malls

BEAM ANGLE

60 degrees

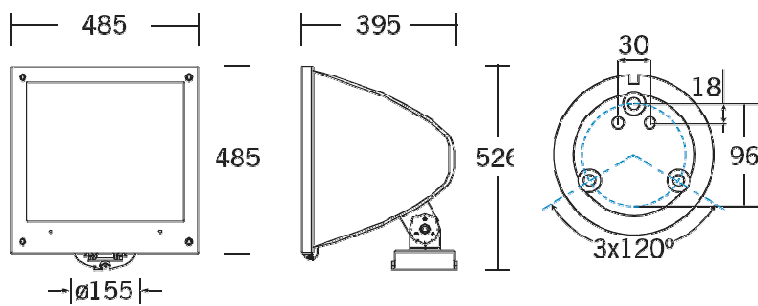
FEATURES

Die Cast Aluminum Body
Toughened Glass Diffuser
Scale angle plate on the tilt bracket to facilitate the precise setting of the beam

EFFECTS

Wide Area Illumination

DIMENSIONS IN MM



MODELS

BR30163/WW = 144 x 1W LED Floodlight Warm White

BR30163/PW = 144 x 1W LED Floodlight Pure White
BR30163/CW = 144 x 1W LED Floodlight Cool White
BR30153 = 144 x 1W LED Floodlight White/Yellow mix
BR30173 = 144 x 1W LED Floodlight Amber/White/Blue mix
BR30143 = 144 x 1W LED Floodlight RGB

DUE TO CONTINUOUS IMPROVEMENTS, SPECIFICATIONS MAY CHANGE WITHOUT PRIOR NOTICE.