



15-06 Morlot Avenue, Fair Lawn, NJ 07410 USA Tel: (201) 796-2690 Fax: (201) 796-8818

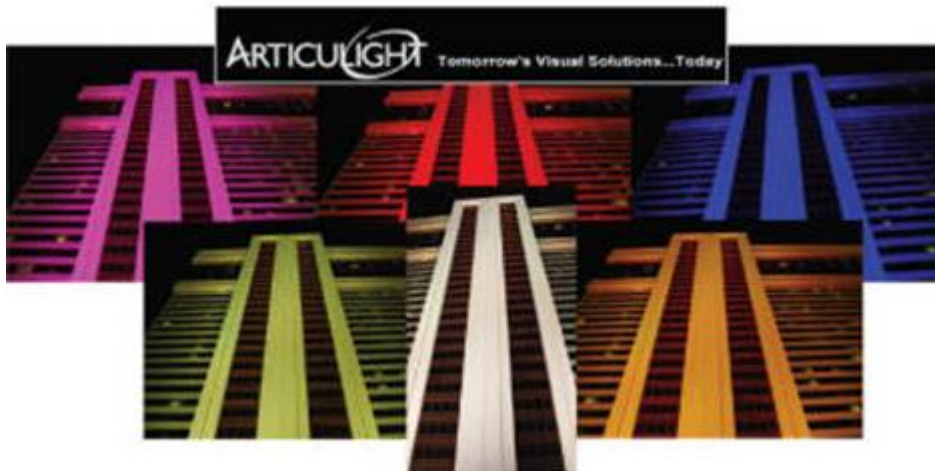
info@articulight.com

articulight@aol.com

www.articulight.com

SPECTACOLOUR 8802

Long Throw Mega Power Double Deck LED Color Changer



Aptly named, the SPECTACOLOUR 8802 is an extremely bright LED-based RGBW fixture designed for long throw application and is powerful enough to illuminate large architectural facades or canvas entire stage areas. SPECTACOLOUR 8802 utilizes the extremes of cutting edge LED technology and its rugged design allows installation in any environment. With an amazing light output and maximum projection distance of 300m (almost 1,000 ft), this powerful fixture is unique for entertainment or architectural applications of any scale.

The new generation of powerful exterior lighting and color changing architectural wall washers is topped by the latest SPECTACOLOUR 8802, a high density LEDs double configuration modules range which features high power LEDs. The double cluster of LEDs configuration in the SPECTACOLOUR 8802 offers full independent digital control of each LED array, allowing absolute freedom to create matching or divergent effects on formerly prohibitive large scale facades and remote spots. The standard version combination of RGBW LEDs (red, green, blue and white offers an unprecedented astonishing white light output quality, as well as a wider variety of intermediate color hues for an even broader range of application purposes. White LEDs seamlessly blend with red, green, and blue LEDs to produce a significantly expanded color palette, adding intense high-quality whites, and a range of subtle pastel colors to the millions of rich saturated colors achievable with standard RGB lighting fixtures.

Maintenance costs are significantly and dramatically reduced by the IP67 certified protection rating coupled with the very long life span of the latest solid state lighting package, as well as by the total absence of moving parts and color filters and by the special cooling system for the added bonus of a totally silent operation. A variety of beam angles: 32° as standard (other beam angles are optional) and photometric distribution are part of the exchangeable optical group selection.

The two heads have an independent tilt that allows to lighting up wide big surfaces such as facades using lenses with different beam openings. For instance, it can be used with lenses with medium opening on one head to light up the lower part of a building or structure and at the same time it is possible to use narrow beam lenses to light up the rest of the building or structure. The SPECTACOLOUR 8802 series can truly turn the newly illuminated areas into signature locations for an unparalleled standard defining architectural lighting achievement.

By using the additional white LEDs, it's now much easier to achieve the full range of white color and at the same time to save energy because the full RGB (which consumes the most power) is not always needed.

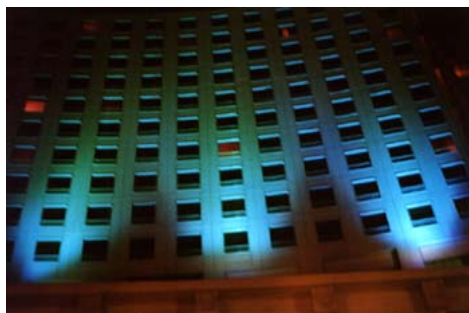
The SPECTACOLOUR 8802 has been designed to replace 2500W HID CYM color changers. It brings to the table a lot of advantages among them flexibility of beam positioning, more lens options, greater creativity opportunities, higher light efficiency, greater energy saving, lighter weight, much higher IP rating, much lower power consumption, much higher lamp life all those factors resulting in an overall superior fixture that not only outperforms its 2500W HID CYM predecessor but also saves on many fronts. We are talking 21st century fixture replacing a 20th century fixture.



FEATURES AND BENEFITS

- The use of white LEDs allows greater energy savings than ever before• Line voltage operation
- Excellent color display
- Low power consumption
- Excellent heat management
- Energy consuming will reduce by 80% compare with the incandescence light in the same light effect
- Has good anti-impact properties
- Elegant look and functional design

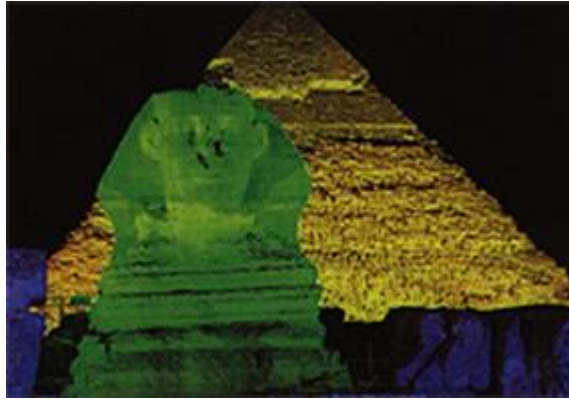
- No frequent twinkling
- Quadratic optics design
- No dizzying lights
- Good anti-impact with surface oxidation disposal
- Anti-aging with light leading inner teeth, soft beam, hard and durable
- DMX signal control
- Does not require repeat light bulb and ballast changes and lasts for an incredible 50,000 hours, which is many more times longer than other light sources.
- Cost-effectiveness on initial cost of fixture, bulb replacement and scheduled maintenance.
- Superior efficiency of lighting
- Superb luminous distribution
- Advance physical characteristics
- Durability and resistance to corrosion
- Lightweight and compact
- Simple installation and convenient modulation
- Ensures years of unsurpassed service, lighting uniformity, visual comfort and lighting security—all in a highly reliable system.
- No need for filters
- No motors to break
- Solid State Lighting, all Digital
- Virtually No Heat
- No UV
- No Infra Red
- No mercury
- Friendly Green Technology
- Safe
- Saves energy and saves money
- No CO2 effects
- Virtually No Maintenance



Unique Features

- Wireless DMX signal transmission
- LED board temperature display
- Fixture usage time display
- Brightness level control
- Timer control

DMX mode, setting status, operation mode and user memory data can be transmitted by synchronous control



Technical Data

Model: PR-8802

Power Supply: 100V/120V/200V/220V /230V/240V AC 50/60Hz

Power Consumption: 700W@220v

LED Source: 3W LEDs; 216 LED's: 54 Red, 54 Green, 54 Blue and 54 White divided equally between the two arrays, 108 LEDs in each head

LED Life: >50,000 hours

Color System:

RGBW color mixing + white

Linearly color temperature correction

Single color version is available too

Effect:

Dimmer: 0~100% linearly adjustable

Strobe: 1 to 20 F.P.S.

Beam Angle: 32°(Optional 26°,56°)

Lens Angle:14° (Optional 8°, 45°)

Control and Programming:

Control: DMX512, 3-pin interface, self-test mode, master /slave mode

Channels: Short Mode: 7, Standard Mode: 11, Extended Mode: 15Wireless DMX signal transmission16 preset memories; 16 user's memoriesPreset memories and user's memories can be called by control channel, 16 level speeds adjustable

Physical Features:

Ambient Working Temperature: -20°C to 40°C (-4°F to 104°F)

Housing: high-strength die-casting aluminum IP Rating: IP67

Weight: 27Kg (59.4 lbs)

Packed Quantity: 1pc

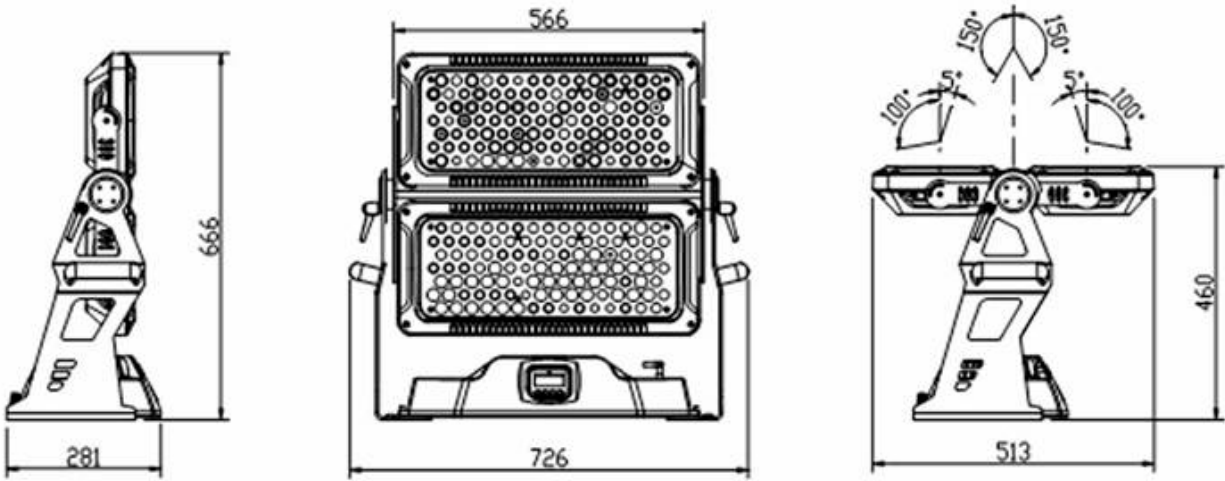
Standard Accessories:Barndoor, 1 pc; Clamps, 2 pcs

Safety cord, 1 pc

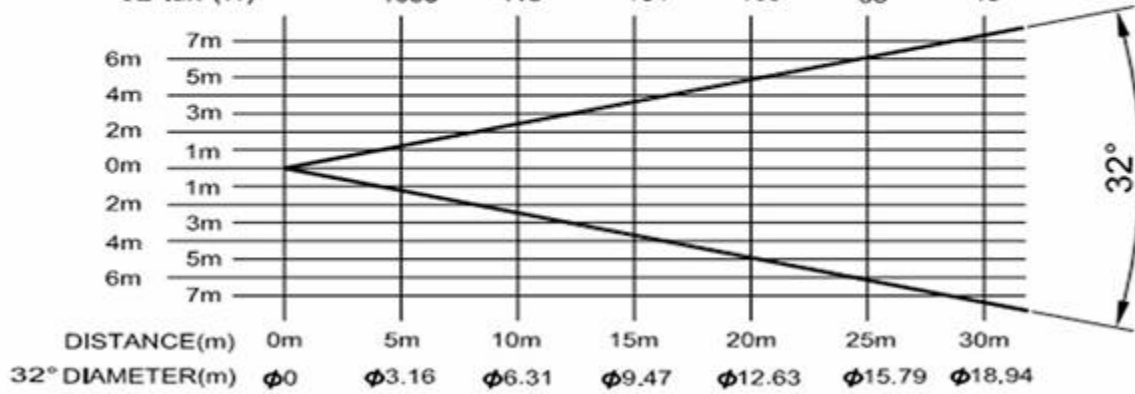
Package Dimensions: 810mm X 550mm X 550mm (31.89" x 21.65" x 21.65")

Dimensions: please see the drawings below (in mm)

DIMENSIONS



32°lux (RGBW)	5852	1463	650	366	234	163
32°lux (R)	387	97	43	24	15	11
32°lux (G)	2460	615	273	154	98	68
32°lux (B)	1307	327	145	82	52	36
32°lux (W)	1653	413	184	103	66	46



DMX CHANNELS

Short Mode	Standard Mode	Extend Mode	Function	DESCRIPTION	
CH1	CH1	CH1	Dimmer	000	Dimmer 0-100% 255
		CH2	Dimmer Fine	000	Dimmer in 16 Bit precision 255
CH2	CH2	CH3	CTO	000 Invalid	001 Linear adjust 255
	CH3	CH4	Macro	000 Invalid	001 255
CH3	CH4	CH5	Red	000	Red 255
CH4	CH5	CH6	Green	000	Green 255
CH5	CH6	CH7	Blue	000	Blue 255
CH6	CH7	CH8	White	000	White 255
		CH9	Hue	000	Hue 255
		CH10	Saturation	000	Saturation 255
		CH11	Value	000	Value 255
CH7	CH8	CH12	Strobe	000-009 Invalid	010 Strobe speed 255
	CH9	CH13	Preset Programs	000 Invalid	001 16 Preset Programs, Speed Adjustable 255
	CH10	CH14	Users Programs	000 Invalid	001 16 Users Programs, Speed Adjustable 255
	CH11	CH15	Programs Speed	000	16 Steps Speed Control 255

APPLICATIONS

- Towers
- High Risers
- Skyscrapers
- Power Plants
- Stadiums
- Arenas
- Hotels
- Casinos
- Bridges
- Monuments
- Facades
- Buildings
- Amusement Rides
- Houses of Worship
- Large Retail Exteriors
- Piers
- Themed attractions
- Amusement Parks
- Landscape
- Museums
- Events
- Concerts
- Fountains
- Pools
- Ponds
- Lakes
- Signs
- Billboards
- Exhibitions
- Displays
- Trees
- Sports Facilities
- And much more

DUE TO CONTINUOUS IMPROVEMENTS, SPECIFICATIONS MAY CHANGE WITHOUT PRIOR NOTICE.