

ARTICULIGHT

15-06 Morlot Avenue, Fair Lawn, NJ 07410 USA Tel: (201) 796-2690 Fax: (201) 796-8818

info@articulight.com

articulight@aol.com

www.articulight.com

GRAPHIC PROJECTORS

PROMOTION 1200™

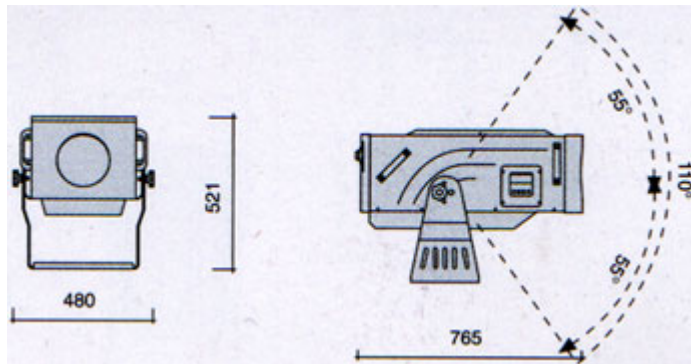
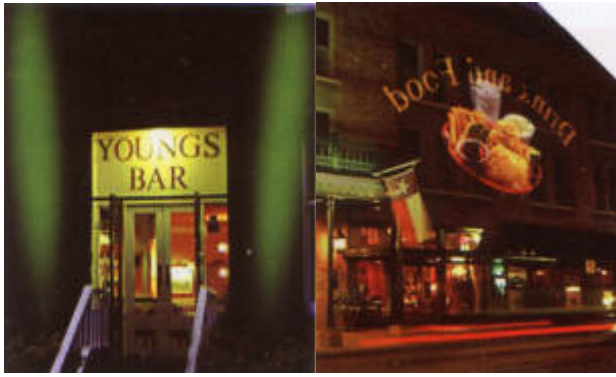


Promotion 1200 is a versatile multiple format projector, weatherproofed to IP44 making it suitable for use for exterior applications as well as indoors. Using a powerful 1200W discharge lamp, this image projector is remarkable for many reasons, not the least being the sheer number of applications it is suited for, from open air events through to the large area projection shows, marketing, advertising, as well as concerts and festivals. Its versatility is expanded by a dedicated range of effect modules, which can be used in conjunction with each other for truly impressive displays.

Modules range from single gobo rotators to multiple rotating and index able gobo changers, from slide and film scrollers, of different sizes and capacity, to color and distortion wheel rotators, from beam shapers to scanning mirrors.

Control for projector focus and zoom is set manually, and the same applies to the more simple modules, but up to six DMX 512 control channels per projector are available for full remote control of a multiple module set up, for a sophisticated projection show





TECHNICAL SPECIFICATIONS

Lamp Source	MSR 1200W, G22 base, 750 hours, 110,000 lumens HSR 1200W, G22 base, 750 hours, 110,000 lumens MSD 1200W, G22 base, 2000 hours, 92,000 lumens HSD 1200W, G22 base, 2000 hours, 92,000 lumens
Films Focus	Manual
Zoom	Manual
Projection Angle	9-30 degrees for gobos, 19-45 degrees for slides and films
Colors	2 Wheels, 49 colors plus white
Dimmer/Blackout	Mechanical
Strobe	9 FPS
Effects	3-F Prism; image distortion wheel
Mirrors	Deflecting or scanning
Filters	Wood, frost banana, UV
Glass Gobos	Optional

Metal Gobos	Optional
Gobo Size	D size, OD: 53.3mm, ID: 40mm
Rotating Gobos	1 or 5 indexable
Slides	5: 24 X 36 mm 8: 6 X 7 cm
DMX Channels	80: 6 X 7 cm 150: 24 X 36 mm
Communication Protocol	DMX 512
DMX Channels	6/7
Stand Alone	Yes
Master/Slave	Yes
On-Board Control	Yes
Housing	Sheet metal
Mounting	Bracket system enables hanging or sitting on a surface
Finish	Black
IP Rating	44
Cooling	Forced Ventilation
Power	230-240/50-60Hz, 8 amps
Weight	42 kgs (92.4 lbs)
Dimensions	480 mm (W) X 765 mm (D) X 521 mm (H)

OPTICAL OPTIONS

Focal Group	Image Media	Beam Angle
STANDARD	GOBO	9-30°
STANDARD	24x36mm Slide	9-30°
STANDARD	6x7cm Slide	19° only
F105	Gobo	30-38°
F105	24x36mm Slide	30-38°
F105	6x7cm Slide	45°
F143	Gobo	19°
F143	24x36mm Slide	19°
F143	6x7cm Slide	30°
ZOOM 70-125°	24x36mm Slide	*40°
ZOOM 70-125°	Gobo	*40°
5-9°	24x36mm Slide	5-9°
5-9°	Gobo	5-9°

COMMENTS

Gobo is D Size: OD: 53.3mm; ID 40mm

24x36mm Slide is a 35mm Slide

24x36mm and 6x7 Film Scrollers are still being developed. We'll let you know when they become available.

*In combination with standard optic system

EACH OPTICAL GROUP COMES WITH ITS OWN OWNER'S MANUAL

Should different lenses be utilized in the future, we will keep you updated. At the moment, please be advised there is no other lens available besides the optical systems introduced above.

1 meter = 3.3 feet
1 ft candle = 10.78 lux

FEATURES AND BENEFITS

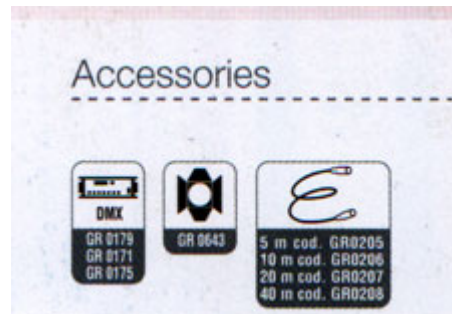
- Large format projection
- Very high light output
- Crystal sharp vivid images
- Full color projection
- Complements and/or replaces other projection media
- Variable size images
- Projection in hard to reach and access places
- Day and night projection
- Programmable
- DMX controlled
- Very low cost image media
- Highly inexpensive advertising tool
- Multiple images and effects
- Highly innovative heat reduction management
- Quiet operation
- Internal dimmer/shuttering
- Strobbing effects
- Scrolling effects
- Rotating effects
- Scanning and deflecting effects
- Color changing effects
- Special effects
- Variable lamp options
- Variable lens options
- Weather, water and dust proofed
- Safe
- Environment friendly
- Compact size
- Lightweight
- Variable mounting options
- Portable
- Permanent or temporary use

APPLICATIONS

- Outdoor/Indoor advertising
- Mall Advertising
- Retail Advertising
- Architectural Design
- Theatrical Scenic Design
- Concerts
- Performing Arts
- Conventions
- Trade Shows
- Promotional Events

- Special Events
- Corporate Events
- Product Launches
- Parties
- Film/Video Production
- Stadiums/Arenas
- Museums and Art Galleries
- Airports
- Supermarkets
- Movie Theatres
- Theme Parks
- Restaurants and Hotels
- And much much more

ACCESSORIES



GR0631



5-INDEXABLE
ROTOGOBO MODULE

GR0640

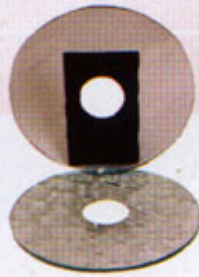
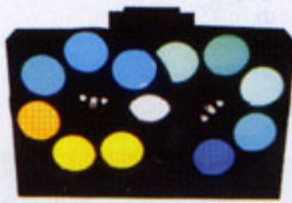


IMAGE DISTORTION
WHEELS

GR0632



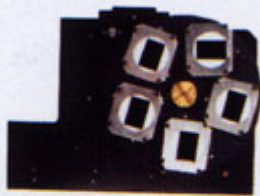
2-WHEEL COLOUR
CHANGER

GR0641



DEFLECTING
MIRROR

GR0633



5-SLIDE (24x36 mm)
+ BLACK-OUT MODULE

GR0642



SCANNING
MIRROR



DUE TO CONTINUOUS IMPROVEMENTS, SPECIFICATIONS MAY CHANGE WITHOUT PRIOR NOTICE.