

# ARTICULIGHT

15-06 Morlot Avenue, Fair Lawn, NJ 07410 USA Tel: (201) 796-2690 Fax: (201) 796-8818

info@articulight.com

articulight@aol.com

www.articulight.com

## LED SERIES

---

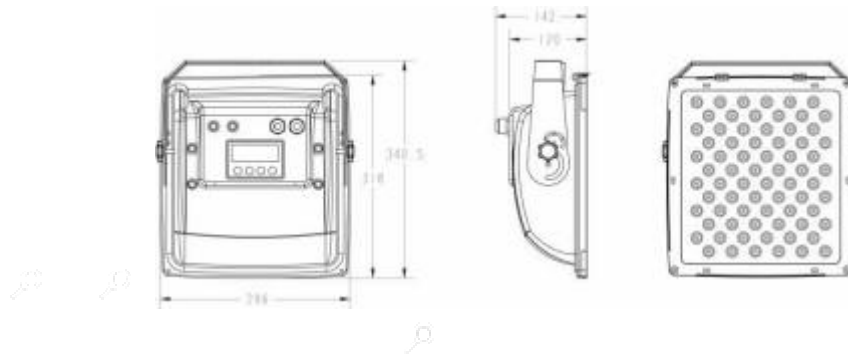
### SPECTA WXL

#### High Power LED Variable White CT Floodlight



#### FEATURES AND BENEFITS

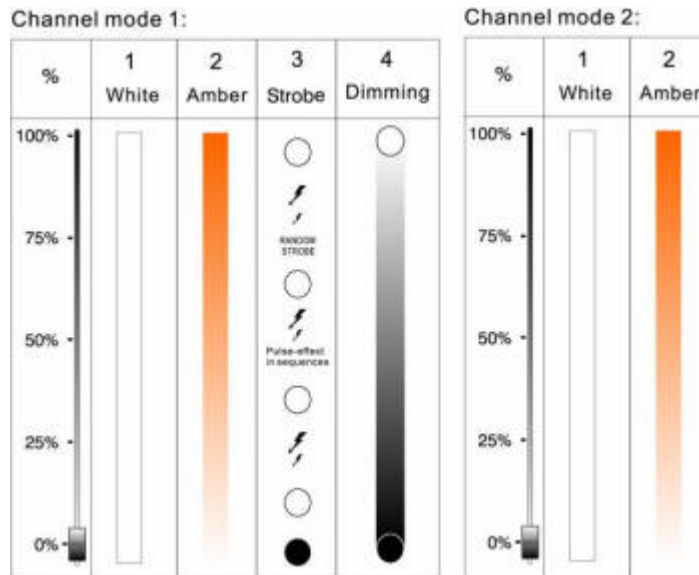
- Variable White Color Temperature (WTC) ranging from Warm via Pure to Cool thanks to the combination of white and amber LEDs.
- Mix between 5,600k and 3,500k
- 2 or 4 DMX channels selectable for numerous applications
- Equipped with 72 x 1 W LEDs: 60 x white, 12 x amber
- High power LEDs made by Lumileds, USA
- 100 000 hours LED life
- Switch-mode power supply
- Automatic power supply between 120 and 240 Volts without power selector
- For architectural lighting or large stage backgrounds
- Suitable for external use, IP 44
- Compact housing
- Programmable color temperature and strobe effect
- DMX-controlled operation or stand alone operation with Master/Slave-function
- Strobe-effect with 1-18 flashes per second
- Sound-controlled via built-in microphone
- Control-Board with LCD-display
- Advantages of LED-technology: extremely long life, low power consumption, minimal heat emission, virtually maintenance free with brilliant light radiation
- DMX-control via every standard DMX-controller
- Variable White Color Temperature ranging from warm via Pure to Cool thanks to the combination of white and amber LEDs.



### TECHNICAL SPECIFICATIONS

Power supply:	120-240 V AC, 50-60 Hz
Power consumption:	115 W
Protection Rate:	IP 44 <a href="http://www.articulight.com/acc/IPRatings.html">http://www.articulight.com/acc/IPRatings.html</a>
DMX-control-channels:	3/6/15
DMX-512-connection:	3-pin XLR
Flash-rate:	18 Hz
Number of LEDs:	72
Dimensions (LxWxH):	140 x 300 x 345 mm (5.51" x 11.81" x 13.58")
Weight:	7.5 kg (16.5 lbs)

### DMX CHANNELS



**DUE TO CONTINUOUS IMPROVEMENTS, SPECIFICATIONS MAY CHANGE WITHOUT PRIOR NOTICE.**