

ARTICULIGHT

15-06 Morlot Avenue, Fair Lawn, NJ 07410 USA Tel: (201) 796-2690 Fax: (201) 796-8818

info@articulight.com

articulight@aol.com

www.articulight.com

LED SERIES

SPECTA XL

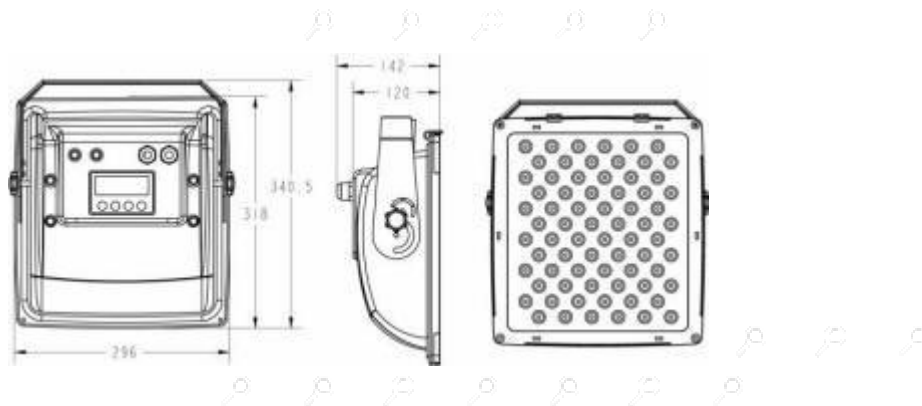
High Power RGB LED Color Changer



FEATURES AND BENEFITS

- 3, 6 or 15 DMX channels selectable for numerous applications
- Equipped with 72 x 1 W LEDs: 24 x red, 24 x green, 24 x blue
- High power LEDs made by Lumileds, USA
- 100,000 hours LED life
- Switch-mode power supply
- Automatic power supply between 120 and 240 Volts without power selector
- For architectural lighting or large stage backgrounds
- Suitable for external use, IP 44
- Compact housing
- Smooth RGB color changing
- Programmable color-change speed and strobe effect

- DMX-controlled operation or stand alone operation with Master/Slave-function
- Strobe-effect with 1-18 flashes per second
- Programmed chaser
- 8 built-in programs can be called up via DMX-controller
- Sound-controlled via built-in microphone
- Microphone-sensitivity adjustable
- Rainbow-effect with adjustable speed
- Control-Board with LCD-display
- Number of scenes in Program Edit/Play Scenes can be changed individually
- The scenes in Program Edit/Play Scenes can be modified via the Control Board or via an external controller and loaded into the memory
- Advantages of LED-technology: extremely long life, low power consumption, minimal heat emission, virtually maintenance free with brilliant light projection
- DMX-control via every standard DMX-controller



TECHNICAL SPECIFICATIONS

Power supply:	120-240 V AC, 50-60 Hz
Power consumption:	115 W
Protection Rate:	IP 44 http://www.articulight.com/acc/IPRatings.html
DMX-control-channels:	3/6/15
DMX-512-connection:	3-pin XLR
Flash-rate:	18 Hz
Number of LEDs:	72
Dimensions (LxWxH):	140 x 300 x 345 mm (5.51" x 11.81" x 13.58")
Weight:	7.5 kg (16.5 lbs)

