



15-06 Morlot Avenue, Fair Lawn, NJ 07410 USA Tel: (201) 796-2690 Fax: (201) 796-8818

info@articulight.com

articulight@aol.com

www.articulight.com

LED SERIES

SPECTACOLOUR RONDO

SPECTACOLOUR RONDO is a high output, LED lighting fixture range designed for accent and site lighting both indoors and outdoors. SPECTACOLOUR RONDO range offers many standard configurations including solid color and RGB color changing as well as a variety of beam angles. Additional LED source configuration, standard and custom housing colors provide an exceptional range of choices to make your design vision a reality. SPECTACOLOUR RONDO is perfectly suitable for accent and site lighting as well as dynamic up-lighting, floodlighting, and decorative lighting applications. SPECTACOLOUR RONDO range accepts a universal power input range of 90 to 260 VAC allowing long fixture runs and consistent installation in any location around the world. The RGB version of the range works seamlessly with the industry DMX 512 control standard. Functional bracket enables easy and precise aiming and positioning.

SPECTACOLOUR RONDO 3



Product Characteristics

Professional optical design coordinates efficient optical level lens

Large selection of beam angles to meet various projection applications

Solid colors and color changing that can mix and match

High-performance LED chips of an international first-class company

Efficient heat dissipation design ensures long service life of lamp and other components

Round, modern, eye pleasing design

Compact and lightweight

Specifications

Model: M-3

Light Source: CREE 3 3W LEDs

Colors: Solid: Red/Green/Blue/White (warm, pure and cool)/Yellow

Color Changer: RGB

Voltage Input: AC90~260V, 50/60Hz

Operating Voltage: DC 24V

Driving Electronics: 700mA constant current driver

Maximum Power Consumption: 9w

Beam Angle: 6°, 15°, 25°, 40°, 60°

Controlling Mode: DMX512 Controlling System

DMX channels: 5CH---1 RED 2 GREEN 3 BLUE 4 DIMMING 5 STROBE

Projecting Distance: 3-5M (10 -16 ft)

Changing Effect: chasing, flowing, 256 grade brightness,

RGB full color, single color

Protection Rating: IP65

Housing: Die-cast aluminum structure

Tempered glass cover

Polyester painted surface

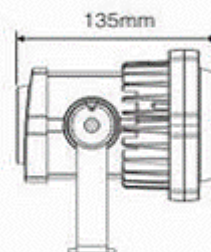
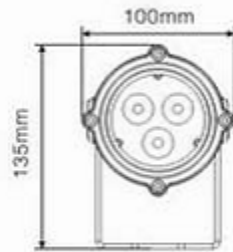
Finish: Black or grey (other colors are available at extra cost)

Working Temperature: -25°C~+45°C (-13°F ~+113°F)

Life span: ≥50,000 hours

Mounting: Universal

Tilt: 180°



SPECTACOLOUR RONDO 6



Product Characteristics

Professional optical design coordinates efficient optical level lens

Large selection of beam angles to meet various projection applications

Solid colors and color changing that can mix and match
High-performance LED chips of an international first-class company
Efficient heat dissipation design ensures long service life of lamp and other components

Round modern eye pleasing design

Compact and lightweight

Specifications

Model: M-6

Light Source: CREE 6 3W LEDs

Colors: Solid: Red/Green/Blue/White (warm, pure and cool)/Yellow

Color Changer: RGB

Voltage Input: AC90~260V, 50/60Hz

Operating Voltage: DC 24V

Driving Electronics: 700mA constant current driver

Maximum Power Consumption: 18w

Beam Angle: 6°, 15°, 25°, 40°, 60°

Controlling Mode: DMX512 Controlling System

DMX channels: 5CH---1 RED 2 GREEN 3 BLUE 4 DIMMING 5 STROBE

Projecting Distance: 5-10M (16 -33 ft)

Changing Effect: chasing, flowing, 256 grade brightness,

RGB full color, single color

Protection Rating: IP65

Housing: Die-casting aluminum structure

Tempered glass cover

Polyester painted surface

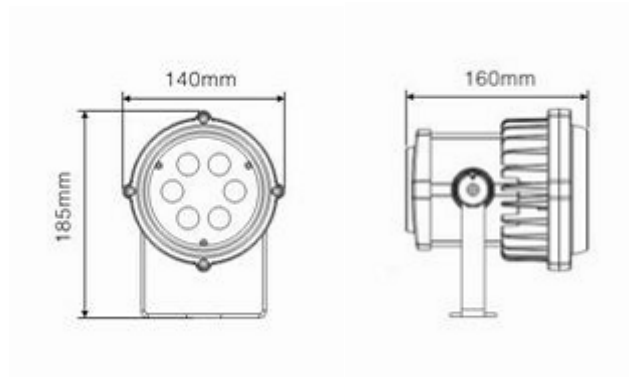
Finish: Black or grey (other colors are available at extra cost)

Working Temperature: -25°C~+45°C (-13°F ~ +113°F)

Life span: $\geq 50,000$ hours

Mounting: Universal

Tilt: 180°



DUE TO CONTINUOUS IMPROVEMENTS, SPECIFICATIONS MAY CHANGE WITHOUT PRIOR NOTICE.