

ARTICULIGHT

15-06 Morlot Avenue, Fair Lawn, NJ 07410 USA Tel: (201) 796-2690 Fax: (201) 796-8818

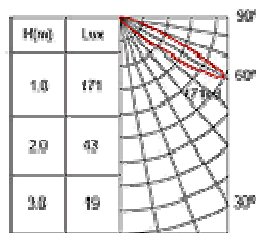
info@articulight.com

articulight@aol.com

www.articulight.com

LED SERIES

TUNNEL LIGHT 350



CE UL    IP65

Tunnel Light 350 is designed for tunnels, subways, bridges, crossroads and stairwells. The 6063 grade aluminum casing provides durability and vandal resistance. It has an IP 65 rating <http://articulight.com/acc/IPRatings.html> and is suitable for indoor and outdoor applications.

TECHNICAL SPECIFICATIONS	
Light Source:	96 x 0.7 watt
Projecting Distance:	19 lux @ 3 meters
Luminous Intensity:	171 cd
LED Life:	100,000 hours
Power Consumption:	8.2 watts
Mains Connection Method:	Hard Wired via Conduit Entry
Housing Material:	Aluminum Case
Diffuser Material:	Toughened Glass
Weight:	4.6 kg
IP rate Object:	6 = Totally protected against dust
IP rate Liquid:	5 = Protected against low pressure jets if water from all directions - limited ingress permitted
Voltages:	100-240v AC

COLOR
Warm White
with color temperature about 4000 degrees K

TYPICAL APPLICATIONS
Industrial Applications
Functional Lighting
Street Lighting
Amenity Lighting

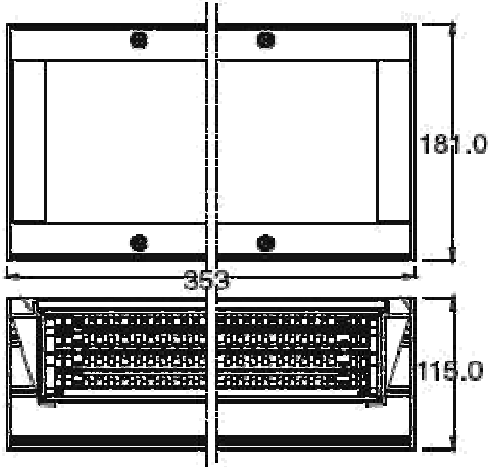
BEAM ANGLE
38 degrees

FEATURES

Aluminum Housing
Anti Glare Toughened Glass Diffuser
Vandal Resistant Fixing Screws

EFFECTS
Low Energy Lighting

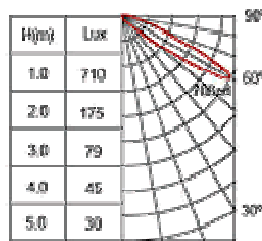
DIMENSIONS IN MM
CUT HOLE 355X183X117MM



MODEL
TL-E0082 = 96 x 0.7w Tunnel Light 350 Yellow/White LED (350mm)

DUE TO CONTINUOUS IMPROVEMENTS, SPECIFICATIONS MAY CHANGE WITHOUT PRIOR NOTICE.

TUNNEL LIGHT 1050



Tunnel Light 1050 is designed for tunnels, bridges, crossroads, subways and stairwells. The 6063 grade aluminum casing provides durability and vandal resistance. It has an IP 65 rating <http://articulight.com/acc/IPRatings.html> and is suitable for indoor and outdoor applications.

TECHNICAL SPECIFICATIONS	
Light Source:	360 x 0.7 watt
Projecting Distance:	79 lux @ 3 meters; 20 lux @ 6 meters
Luminous Intensity:	700 cd
LED Life:	100,000 hours
Power Consumption:	25.5 watts
Mains Connection Method:	Hard Wired via Conduit Entry

Housing Material:	Aluminum Case
Diffuser Material:	Toughened Glass
Weight:	11.4 kg
IP rate Object:	6 = Totally protected against dust
IP rate Liquid:	5 = Protected against low pressure jets if water from all directions - limited ingress permitted
Voltages:	100-240v AC

COLOR
Warm White
with color temperature about 4000 degrees K

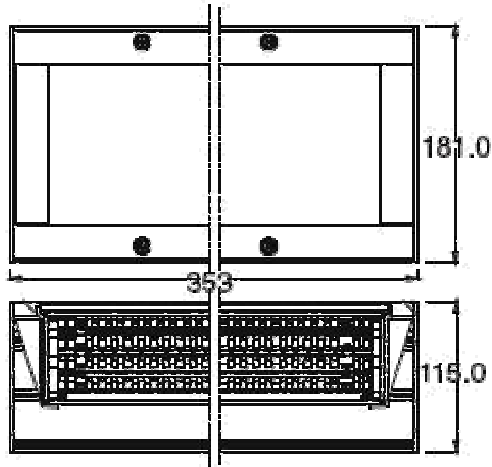
TYPICAL APPLICATIONS
Industrial Applications
Functional Lighting
Street Lighting
Amenity Lighting

BEAM ANGLE
38 degrees

FEATURES
Aluminum Housing
Anti Glare Toughened Glass Diffuser
Vandal Resistant Fixing Screws

EFFECTS
Low Energy Lighting

DIMENSIONS IN MM
CUT HOLE 1055X183X117 MM



MODEL

TL-E0081 = 360 x 0.7 watt Tunnel Light 1050 Yellow/White LED(1050mm)

**DUE TO CONTINUOUS IMPROVEMENTS, SPECIFICATIONS
MAY CHANGE WITHOUT PRIOR NOTICE.**